

# GF 112 MVB

LUMBER PRESS 3,7t

**CYKLOP**<sup>®</sup>  
GLOBAL PACKAGING SOLUTIONS

STRAPPING  
WRAPPING  
CODING  
TAPING

## GF 112 MVB 3,7t

## LUMBER PRESS

The Goliat lumber press is a very robust packaging machine for load stabilization of lumber packages and has a press force of 3,7 ton.

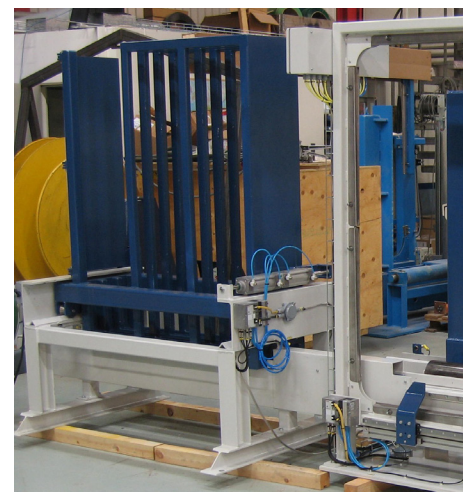
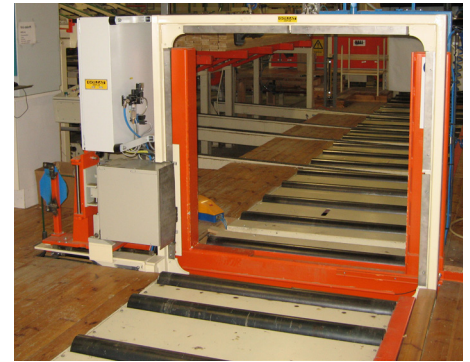
The package is compressed from the sides until the boards lie compactly against each other. When the package is under pressure, the strapping is normally done with polyester straps of either 16 or 19 mm width. The polyester strap is somewhat elastic and follows the movement of the package. This creates well-packaged lumber packages better withstanding the stresses of transport.

### Advantages

Friction welding, interval tightening of the strap, floating suspension of strapping unit, short cycle time, high maximum press force (adjustable). Well-proven construction with few wearing parts that need to be replaced.

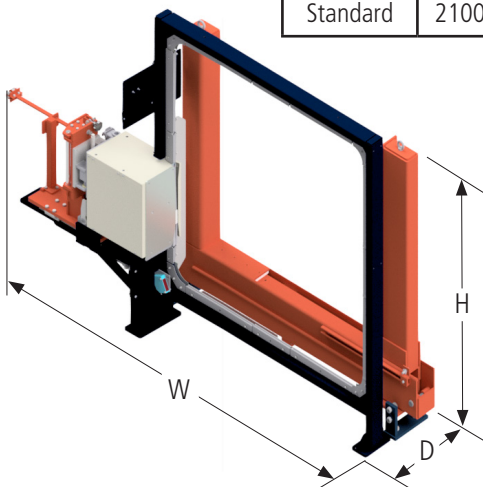
### Options

Top runner applicator, bottom runner applicator, edge protection devices, extra strapping unit for increased performance, strap positioning programs, dispenser for jumbo polyester strap rolls.



Technical specifications		GF 112 MVB 3,7t
Machine	Press force	1-37 kN
	Strapping head	Cyklop CFH-1 V94Q
	Dispenser	KA-6 200
	Cycle time	≈10 s
	Transport height	>475 mm
	Conveyor speed	N/A
Connections	Electrical supply	400V, 50 Hz, 3PH+N+PE
	Load	9 kW
	Pneumatic supply	6 bar, approx 1 NL/cycle
	Hydraulic supply	100 bar, 60 l/min
Package	Width (min-max)	460-1200 mm
	Height (min-max)	300-1200 mm

Dim	Height	Width	Depth	Weight
Standard	2100 mm	2700 mm	650 mm	≈1000 kg



Cyklop AB  
Fågelviksvägen 9a  
145 53 Norsborg

08 503 053 00  
www.cyklop.se  
info@cyklop.se

**CYKLOP**<sup>®</sup>  
GLOBAL PACKAGING SOLUTIONS

STRAPPING  
WRAPPING  
CODING  
TAPING